

Test Submitted by: SafeStand Access Systems -
38A Fourth Way, Wembley, Middlesex HA9 0LH

Date of Test: 9th March 2006
Job Number: 582303698
Order Number: Verbal, Brian O'Driscoll



Introduction

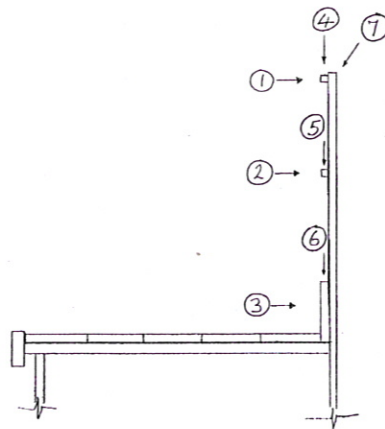
A 4 metre set of SafeStand 1200 Access System complete with boarded platform, toeboard and handrails were submitted for testing for compliance to BS EN 13374: 2004, Temporary Edge Protection Systems, class A.

Procedure

A 4 metre run of the SafeStand Access System (1200's) was set up in accordance with the manufacturers instructions. 4 number stands were set at 1200mm intervals, 5 number scaffold boards were utilised to create the platform, a single scaffold board was used to create a toeboard and 16 number guardrails were installed in locating sockets.

No counterbalance load was applied to the platform.

Results



Load	Requirement	Actual	Comment
1	0.3kN (max. 55mm deflection)	0.7kN	55mm deflection
2	0.3kN (max. 55mm deflection)	0.9kN	55mm deflection
3	0.2kN (max. 55mm deflection)	1.2kN	55mm deflection
4	1.25kN	2.5kN	No sign of deflection
5	1.25kN	2.5kN	No sign of deflection
6	1.25kN	2.5kN	No sign of deflection
7	0.2kN	2.0kN	No sign of deflection

Conclusion

The SafeStand Access System tested surpasses all requirements of BS EN 13374: 2004 and subject to specification conformity is issued with Lloyds British Stamp of approval.


S.P. Fox
Test Manager

LLOYDS BRITISH TESTING LTD, ALBION ROAD, WEST BROMWICH, WEST MIDLANDS B70 8AX
TEL: 0870 609 9140 FAX: 0870 609 9141
E.MAIL: WESTBROMWICH@LLOYDSBRITISH.COM WWW.LLOYDSBRITISH.COM
REG NO. 4444099

